

BEST AVAILABLE COPY

JC978 U.S. PTO
10/079990
02/19/02



Real Image

2025 RELEASE UNDER E.O. 14176

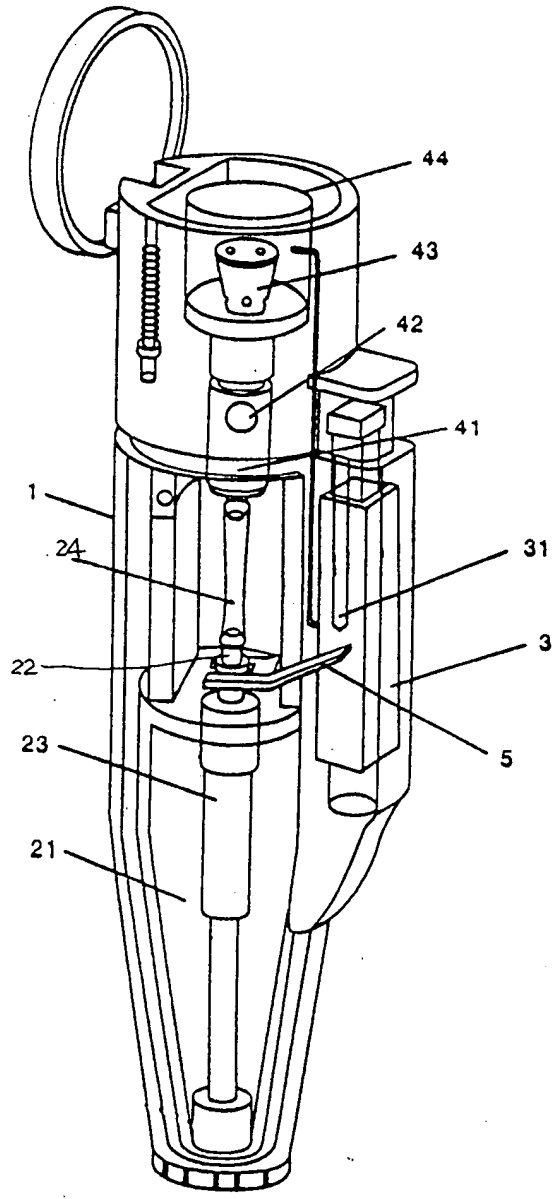


FIG. 1

FIG. 2

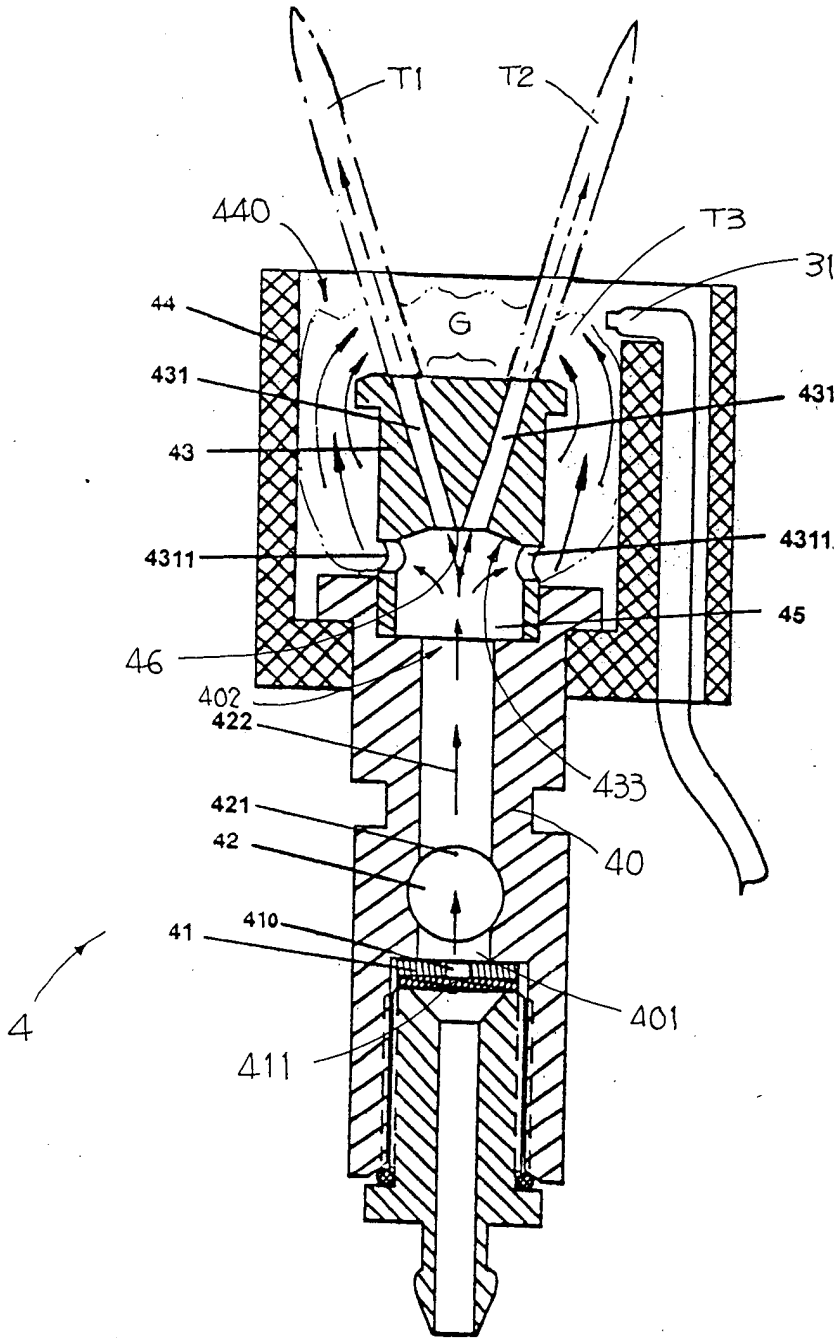


FIG. 2

066200

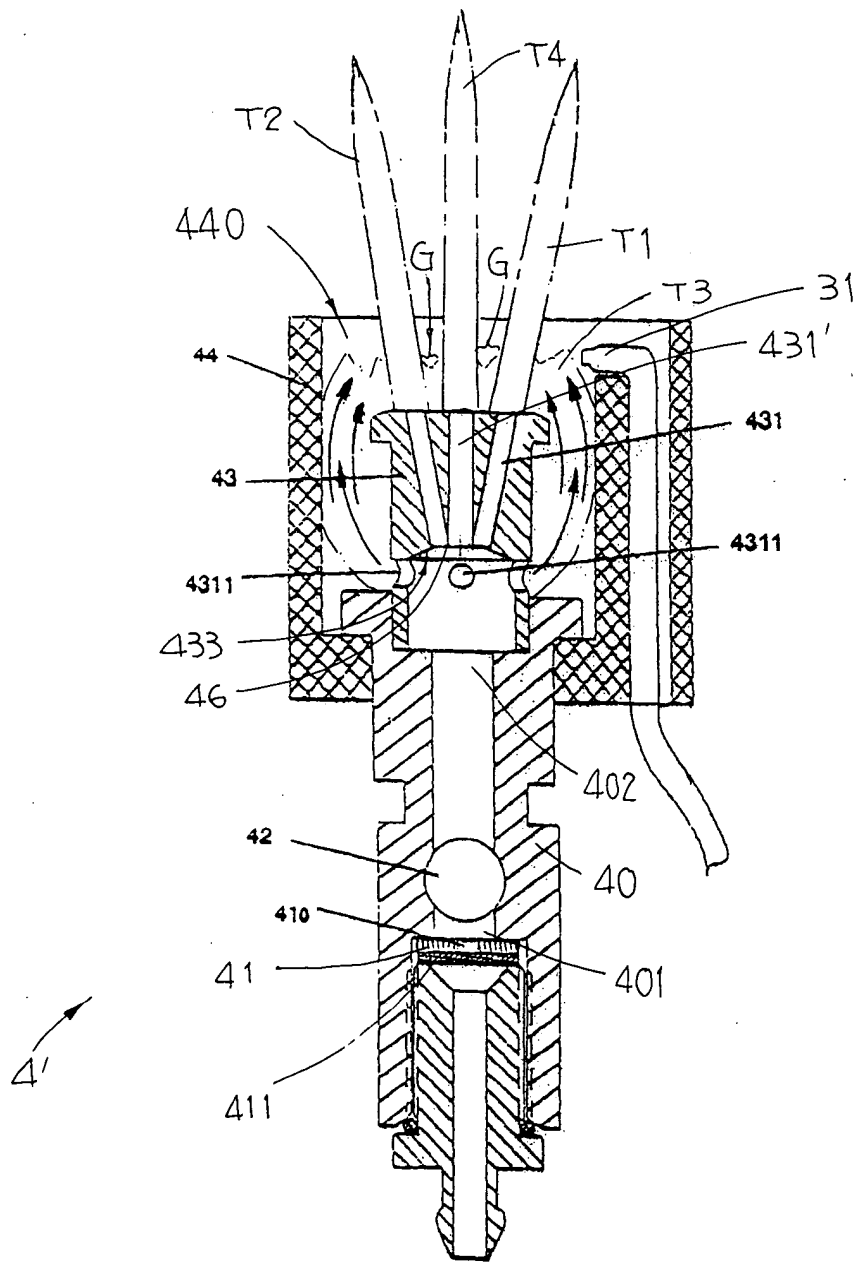


FIG. 3

06662001

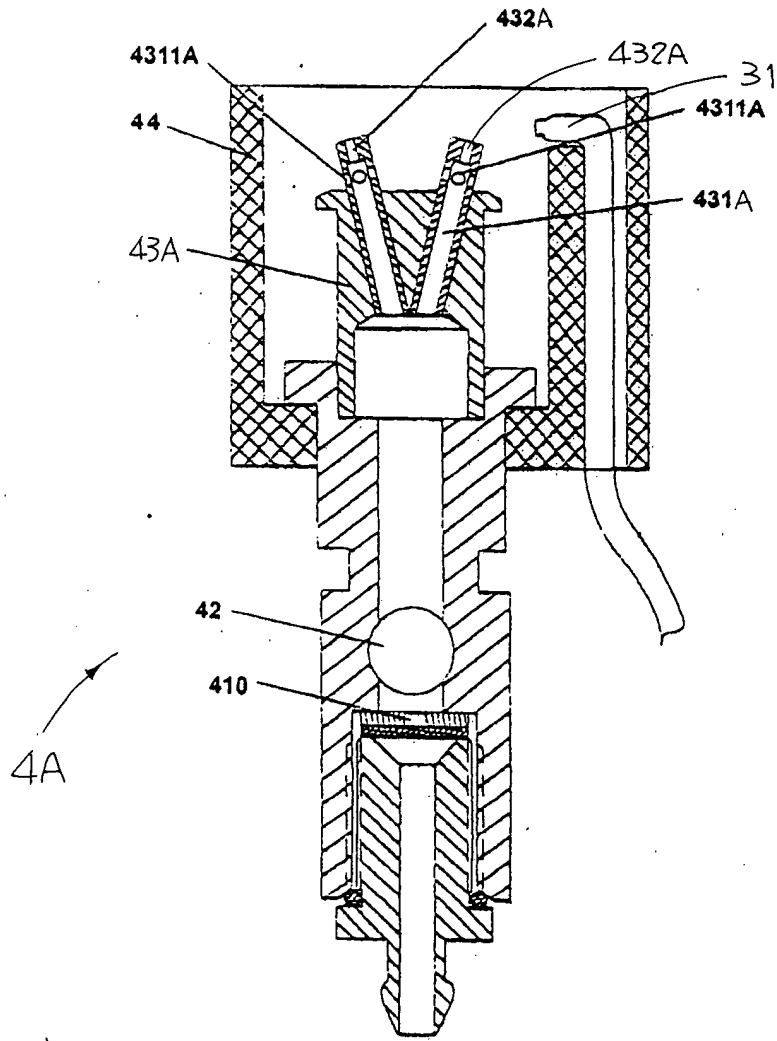


FIG. 4

20070006662007

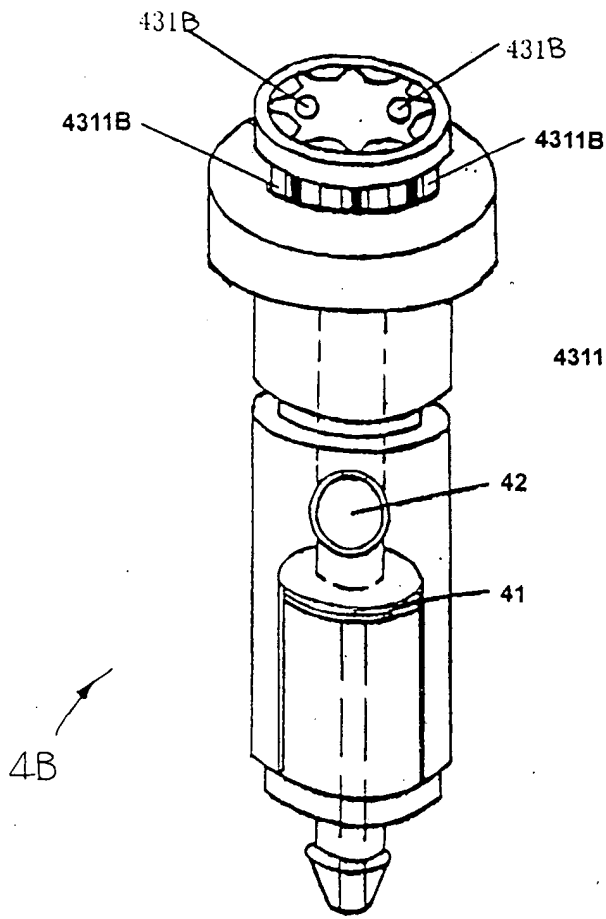


FIG. 5

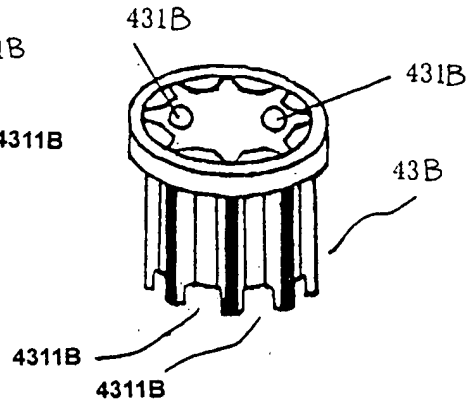


FIG. 6

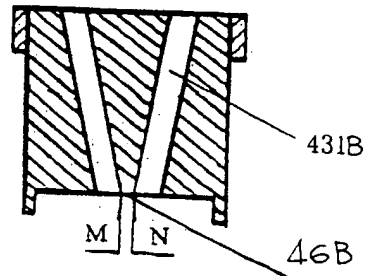


FIG. 7

0662007

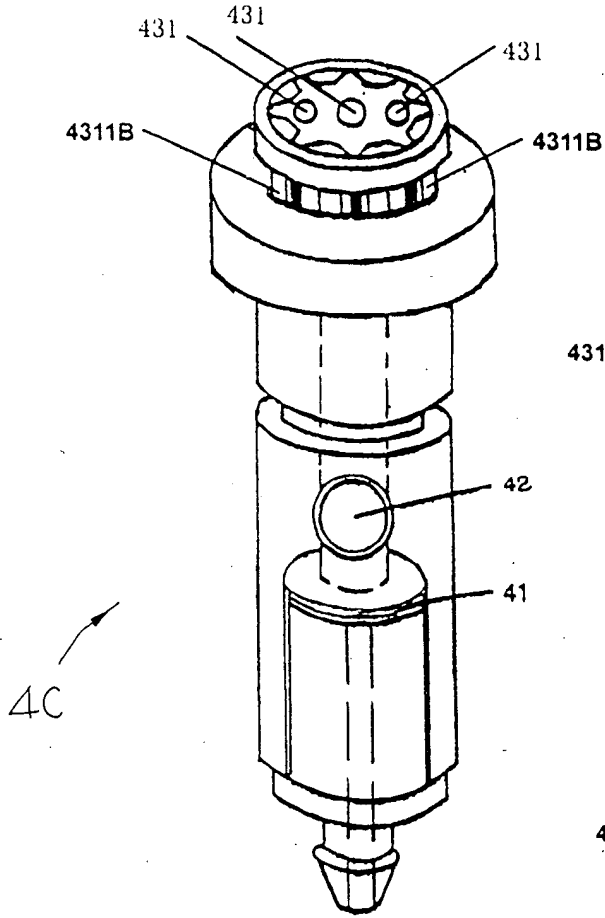


FIG. 8

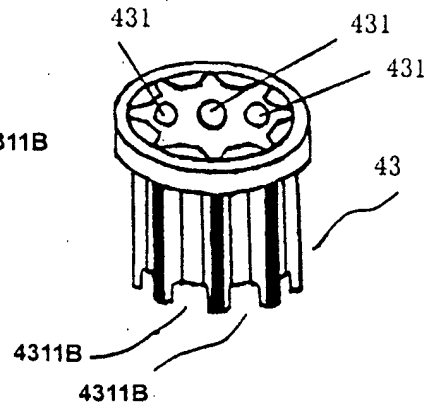


FIG. 9

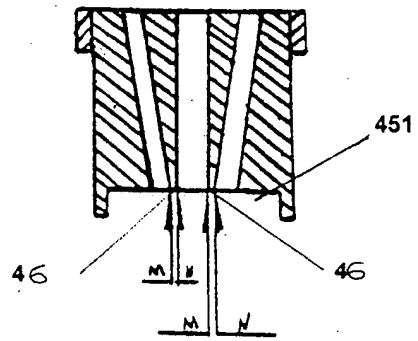


FIG. 10

2025 RELEASE UNDER E.O. 14176

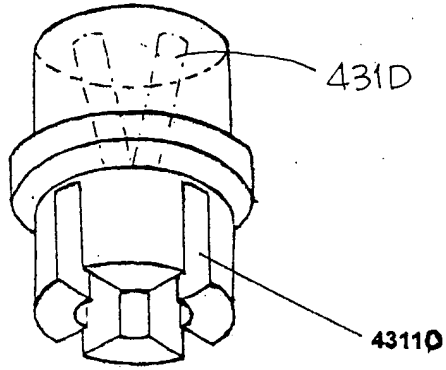


FIG. 11

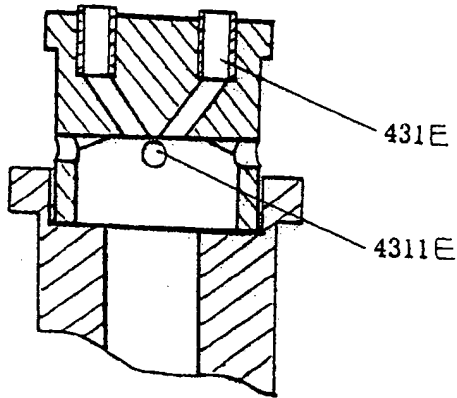


FIG. 12

20061001 06052001

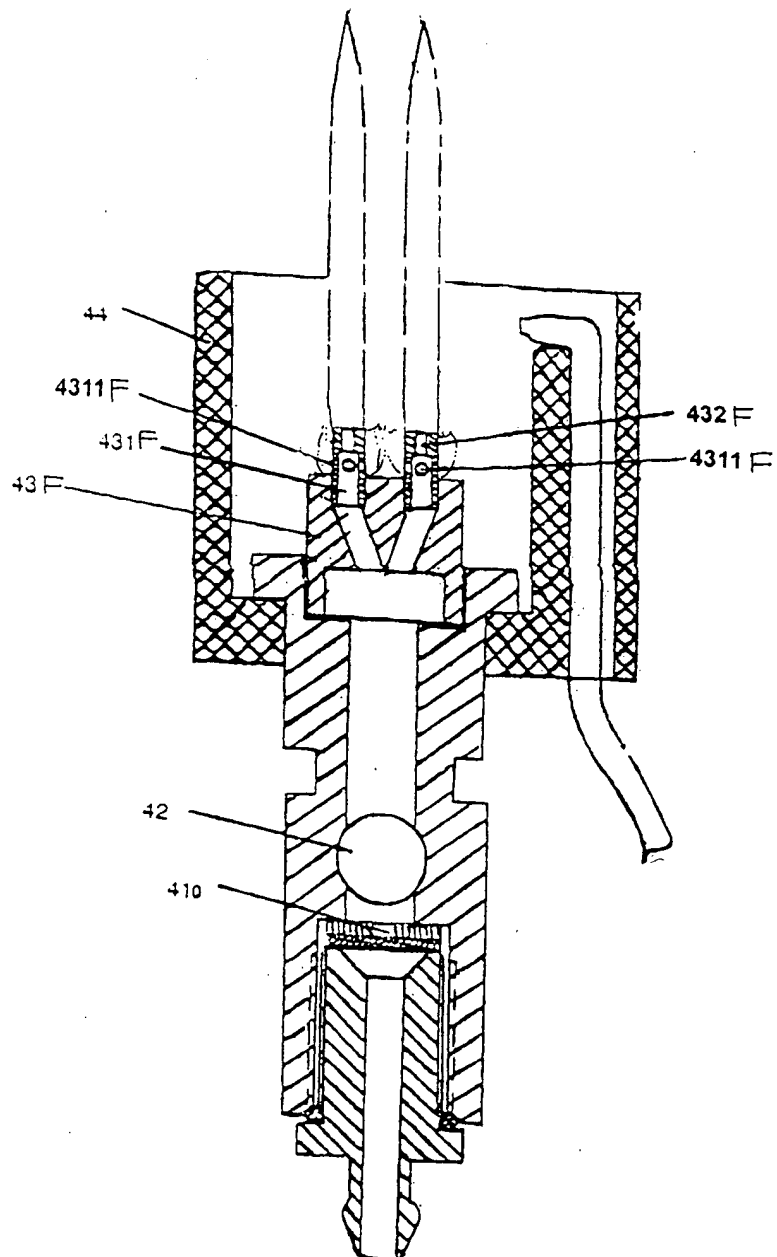


FIG. 13